



Ball Valves SBV Series full-port

Ideally suited for positive shut-off, flow control and throttling of corrosive, abrasive or even toxic process media in either liquid or gaseous state.

Modular Design

Ball Valves SBV Series are available as DIN- or ANSI-valves, with handlever for manual quarter turn operation as per standard or with bare shaft for easy installation of actuator units.

The sturdy design bodies are made of cast steel 1.0619 (WCB A216), RAL 5005 signal-blue epoxy-coated or compl. of SS316 casting 1.4408 (CF-8M), with resistant linings such as PFA or PFA-AS (conductive).



CE Conformity according to European Pressure Equipment Directive 97/23/EC (PED)

Main Features

- Heavy-duty, robust construction, maintenance-free
- Body halves friction-locked (metal-to-metal)
- Bubble-tight shut-off throughout the full pressure and temperature range
- One-piece ball/shaft, PFA-encapsulated
- Zero stem leakage provided by an innovative stem sealing mechanism
- Consistent low operating torque
- Maximum flow rates at lowest pressure drops
- Integrated ISO top flange for standard actuators
- Flanges acc. to DIN PN10/16 resp. ANSI 150lbs for installation into existing piping systems

Actuator Options



Automated

Body 1.0619 (WCB A216)/PFA-lined, pneumatic quarter turn actuator, DA or FC



Stainless Steel

Body 1.4408 (CF-8M)/PFA-lined, bare shaft



Padlock

Handlever on ISO top flange, with safety lock

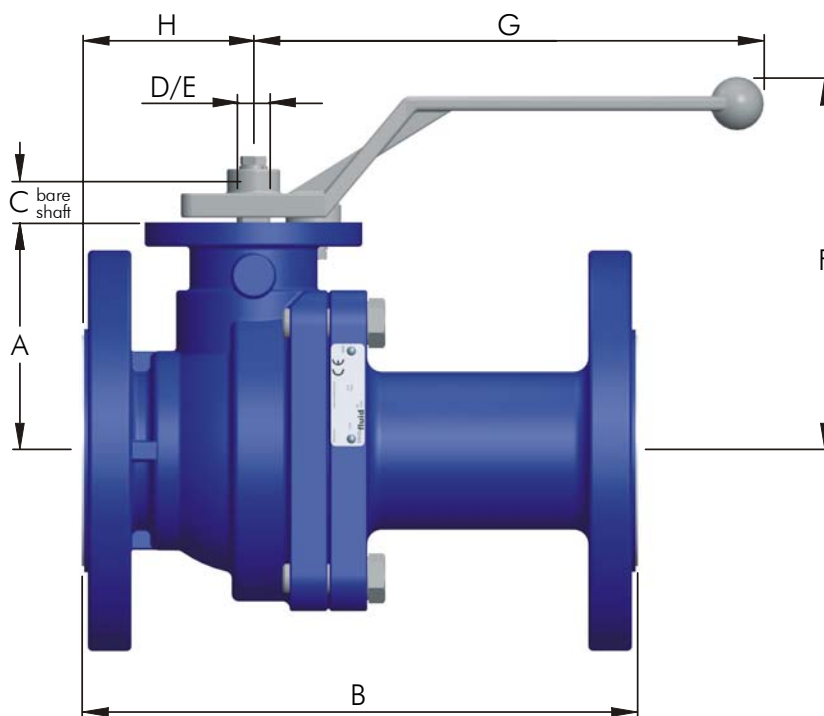
Operating Conditions

- Temperature range from -40°C (-40°F) up to +200°C (+392°F) (dep. on body lining resp. ball encapsulation)
- Pressure range from 1 mbar up to 16 bar (232 psi)

Testing / Marking

- Pressure- and tightness testing acc. to EN 12266-1, leakage rate A, and spark testing at 35 kV to assure lining integrity. Marking of valves on body and name plate acc. to EN 19.
- Material- resp. test certificate acc. to EN 10204-3.1

Manual Valve



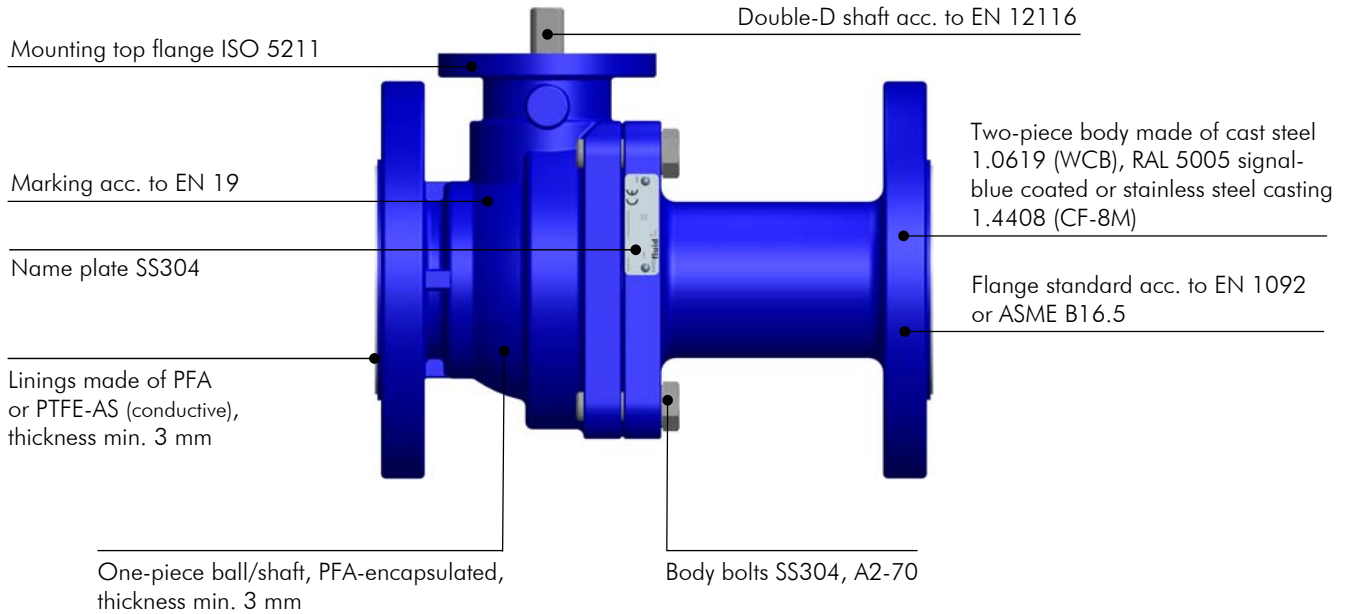
Dimensions in mm (lbs = kg x 2.2)

DN Nom. Size	A	B DIN	B ANSI	C shaft end	D dia.	E DD	F	G	H	ISO	kg* bare shaft	kg lever only
15/1/2"	64	130	130	19	14	11	116	161	50	F05	3.8	0.32
20/3/4"	66	150	150	19	14	11	118	161	50	F05	4.5	0.32
25/1"	70	160	127	19	14	11	122	161	50	F05	5.1	0.32
32/1/4"	75	180	180	19	14	11	133	161	60	F05	6.5	0.32
40/1/2"	87	200	165	19	14	11	139	211	64	F07	9.7	0.36
50/2"	94	230	178	19	14	11	142	211	71	F07	11.7	0.36
65/2/2"	106	290	190	23	18	14	158	215	77	F07	17.2	0.41
80/3"	115	310	203	23	18	14	167	251	81	F07	20.7	0.41
100/4"	130	350	229	23	24	17	182	315	92	F10	32.0	0.90
6" red	130	-	267	23	24	17	182	315	112	F10	45.0	0.90

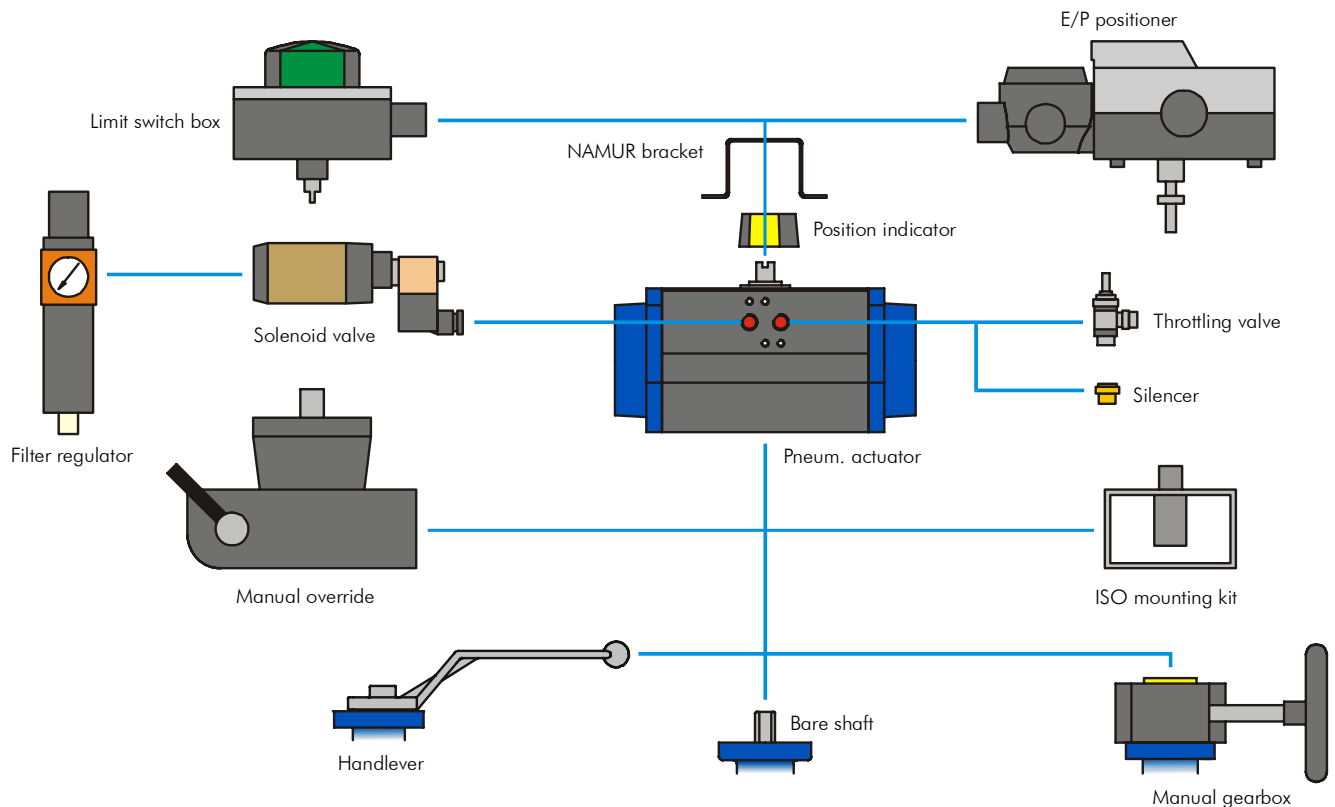
Face to face B acc. to DIN EN 558-1 range 1 resp. ASME B16.10 *weights for DIN valves
 6" red. with eff. throughput dia. 100 mm



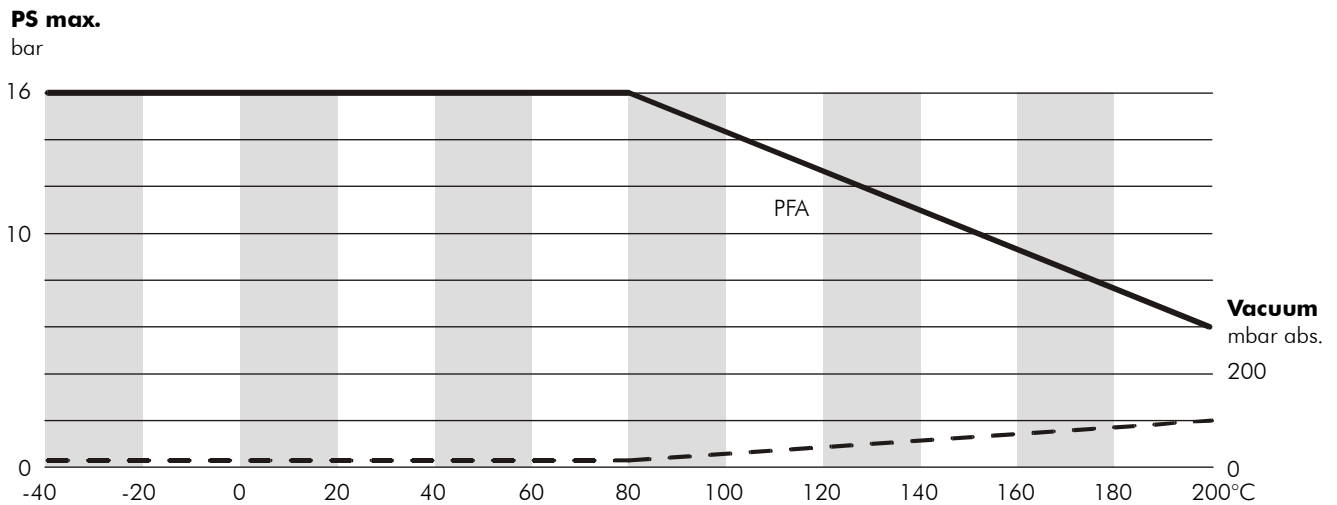
Construction of Valve



Mounting Options



Pressure-/Temperature Diagram



Torque Values in Nm (in-lbs = Nm x 8.85)

Torque values for PFA-encapsulated balls and PFA-lined bodies

Size DN	15/1/2"	20/3/4"	25/1"	32/1 1/4"	40/1 1/2"	50/2"	65/2 1/2"	80/3"	100/4"	6" red.
Torque nom.	8	8	10	15	18	25	45	60	85	85
max. allowable	145	145	145	145	320	320	320	320	700	700

- Stated values to be break-away torques without any consideration of safety factors (min. 1.3) for pneum. actuators.

Flow Rate Values Cv usg/min. (Kv = Cv/1.16)

Size DN	15/1/2"	20/3/4"	25/1"	32/1 1/4"	40/1 1/2"	50/2"	65/2 1/2"	80/3"	100/4"	6" red.
Full Port Valve	18	36	68	139	205	312	610	915	1'405	1'405

Options

C-Ball

to prevent media residues inside ball cavity, for full drainage



V-Port-Ball

for control applications, with various contours

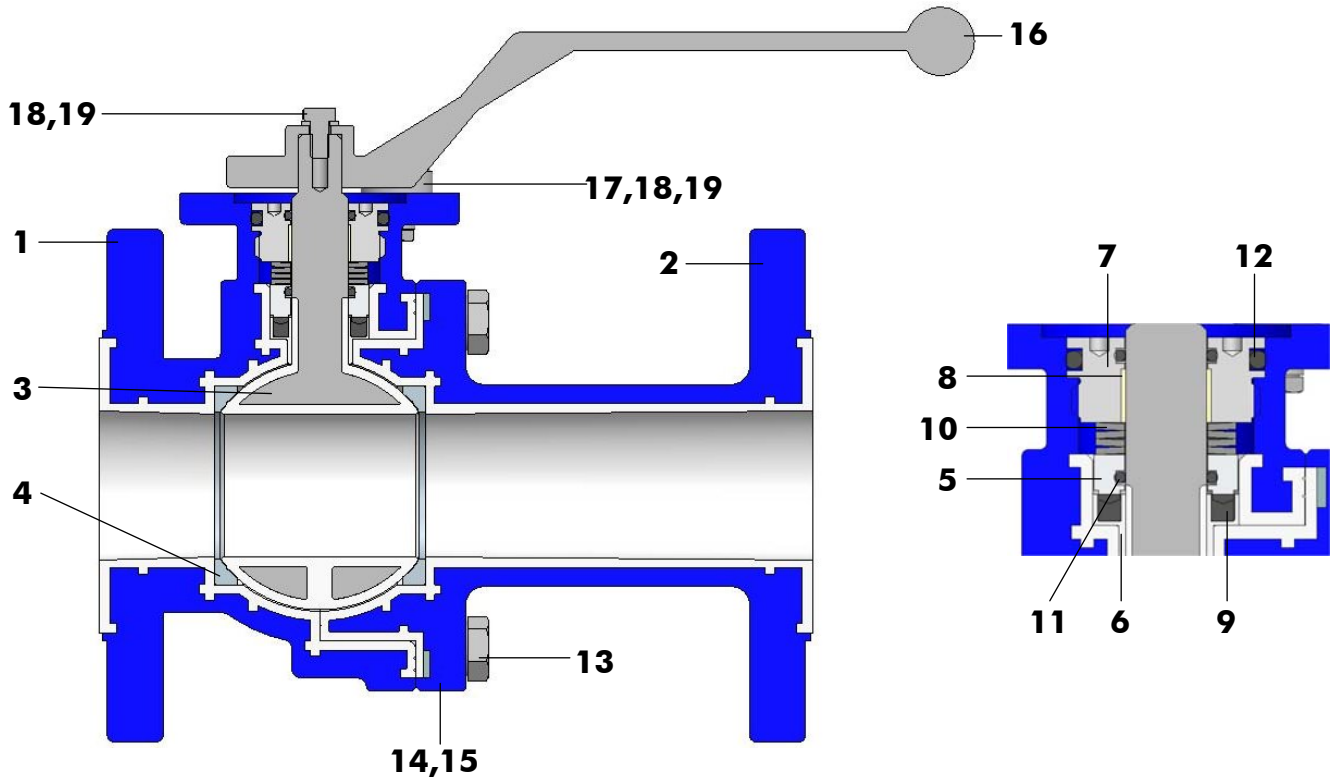


Typical Service Applications

- Chemical CPI
- Petro-Chemical
- Bio-Technical
- Pharmaceutical Industry
- Pulp and Paper
- Food Processing
- Paint and Pigments
- Fertilizers
- Textile Industry
- Mining and Steel
- Water Treatment
- ...

Special executions upon request

Standard Version (Picture showing Valve DN50 PN16 WCB A216, PFA-lined, with Handlever)



Item	Qty.	Description	Spares Set	Material Description	Matrrial No. DIN 17440/41
1	1	Body Half Left, lined, RAL 5005		WCB/PFA	1.0619
2	1	Body Half Right, lined, RAL 5005		WCB/PFA	1.0619
3	1	Ball/Shaft one-piece, encapsulated		Duplex/PFA	1.4462
4	2	Ball Seat	S	PTFE	
5	1	Pressure Sleeve	E	SS316L	1.4404
6	1	Sealing Sleeve	E	PTFE	
7	1	Threaded Bushing	E	SS316L	1.4404
8	1	Bearing	E	C.Steel/PTFE	
9	1	Elastomer Insert	E	FPM	
10	4	Belleville Spring	E	Spring Steel	1.8159
11	2	O-Ring	E	FPM	
12	1	O-Ring	E	FPM	
13	4	Hex. Head Cap Screw		A2-70	1.4310
14	1	Name Plate 42 x 14 CE		A2	1.4301
15	2	Hammer Screw 2.49 x 4.76		A2	1.4310
16	1	Handlever		SS304	1.4308
17	1	Stop		SS316L	1.4404
18	2	Hex. Head Cap Screw		A2-70	1.4310
19	2	Lock Washer		SS304	1.4310

Spare Sets: **E** = Repair Kit **S** = Ball Seat