

*TM induction heating has manufactured induction heaters for more than 25 years, under the brand name "TM induction heating". Induction heaters for heating up bearings, bushings, gears, pulleys and couplings. Through constant innovation and our extensive experience we are able to offer a technical and reliable product.*

## The Pioneers in the use of induction applications

**Number 1 in advicement and service**

### Advantages of TM Easy therm induction heaters:

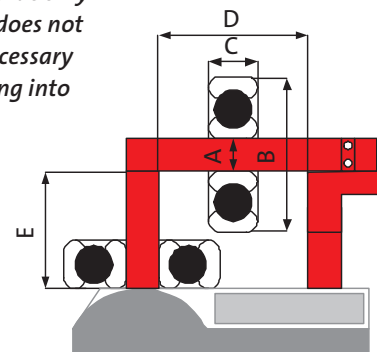
- Fast controllable heating process.
- Safe heating process; only the work piece is heated.
- Elimination of hot oil bath, no risk of localized overheating.
- Suitable for sealed and shielded bearings.
- Suitable for pre-greased bearings.
- Suitable for bearings with polyamide cages.

### Technical advantages of TM Easy therm induction heaters:

- Manufactured and tested according to the **CE, UL and GS** Regulations.
- Intelligent programmable electronic unit:
  - Possible to set time and temperature to heat up big parts uniform;
  - Safe: count down before the heater start, or IR remote control;
  - Temperature control accuracy +/- 2°C;
  - Timer accuracy 0,01 sec;
  - Power can be set manual from 0-100%.
- Fast heating process through high output; **Cos phi > 0,8.**
- **"TURBO-BOOST"**: In the horizontal position the parts will heat up twice as fast.
- The heating coil is placed horizontal under the part:
  - By this it is impossible to damage the coil;
  - This ensures an equal temperature all over the part (inner- and outer ring);
  - This makes it able to heat up parts with smaller bores.
- All heaters are **continuously useable** without any optional cooling system.
- Constantly monitoring heating process by probe and microprocessor.
- Temperature control accuracy +/- 2°C.
- Timer accuracy 0,01 sec.
- Maintenance free.
- **Three years** warranty.
- Easy to use; user friendly design.
- Ergonomic design (**pivoting yoke principle**).
- **Automatic power regulation**, no manual pre-setting necessary.
- Less than 2A/cm residual magnetism.

*The pivoting yoke has the great advantage that only the work piece is handled, because the arm does not have to be lifted manually. This avoids unnecessary handling and reduces the risk of dirt intruding into the bearing or work piece.*

Measurements heaters and parts:



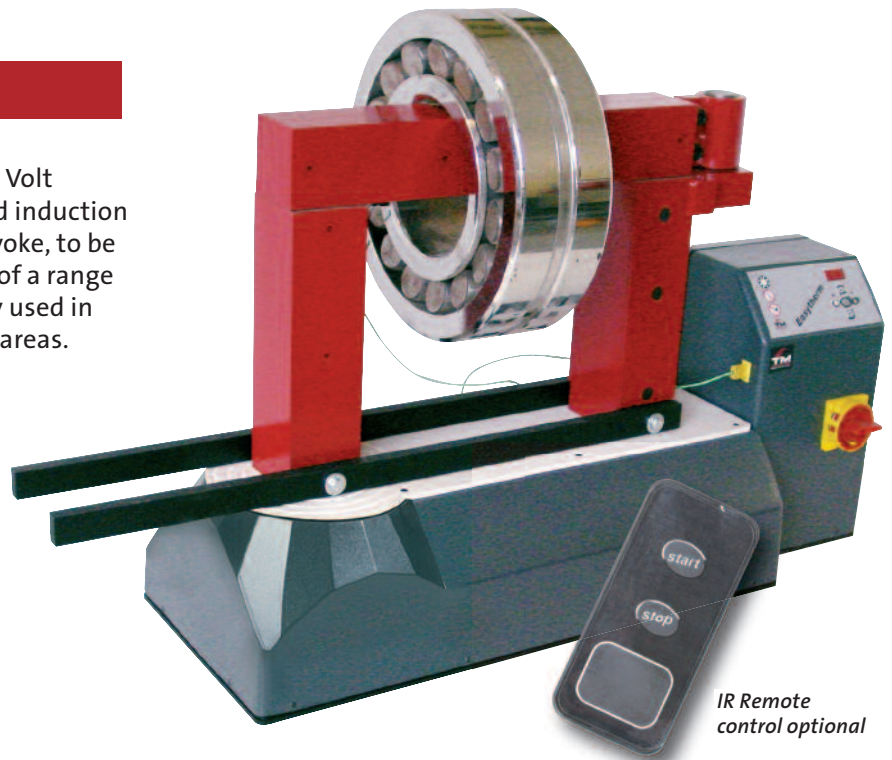
## Easy therm 30

The Easy therm 30 is a powerful 400 Volt stationary microprocessor controlled induction heater with an ergonomic pivoting yoke, to be used for the professional mounting of a range of parts including bearings, typically used in maintenance shops and production areas.



### Technical information

Voltage	380-480V
Frequency	50 or 60Hz
Power	12.8kVA
Heater mass	60kg/132lbs
Dimensions	880x320x570mm 26.77"x12.2"x22.44"
Temp. mode	Max. 240°C/464°F
Width U-core (D)	330mm/12.00"
Height U-core (E)	295mm/11.61"



IR Remote control optional

### Dimensions:

Size induction yokes mm/inch	Min. bore part (A)	Max. outer diameter part (B)	Max. width part (C)	Max. weight part
20x20x490/0.78"x0.78"x19.29"	30mm/1.18"	620mm/24.04"	330mm/12.99"	15kg/33lbs
30x30x490/1.18"x1.18"x19.29"	45mm/1.77"	630mm/24.8"	330mm/12.99"	20kg/44lbs
40x40x490/1.57"x1.57"x19.29"	55mm/2.16"	640mm/25.19"	330mm/12.99"	25kg/55lbs
50x50x490/1.96"x1.96"x19.29"	70mm/2.75"	650mm/25.59"	330mm/12.99"	35kg/77lbs
60x60x490/2.36"x2.36"x19.29"	85mm/3.34"	660mm/25.98"	330mm/12.99"	60kg/132lbs
70x70x490/2.75"x2.75"x19.29"	100mm/3.93"	670mm/26.37"	330mm/12.99"	80kg/176lbs
80x80x490/3.14"x3.14"x19.29"	115mm/4.52"	740mm/29.13"	330mm/12.99"	300kg/661lbs

## Easy therm 30 with trolley

With the trolley the Easy therm 30 can easily be assembled into a movable model. The large castors make it easily movable and allow the unit to be used where needed.

### Technical information

Voltage	380-480V
Frequency	50 or 60Hz
Power	12.8kVA
Heater mass	85kg/187lbs
Dimensions	1060x500x1090mm 41.92"x19.68"x42.91"
Temp. mode	Max. 240°C/464°F
Width U-core (D)	330mm/12.99"
Height U-core (E)	295mm/11.61"



IR Remote control optional

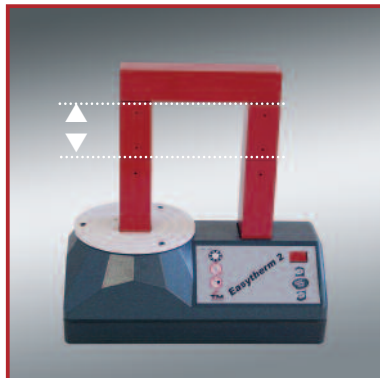
## Optional parts and spare parts

### Extension yokes

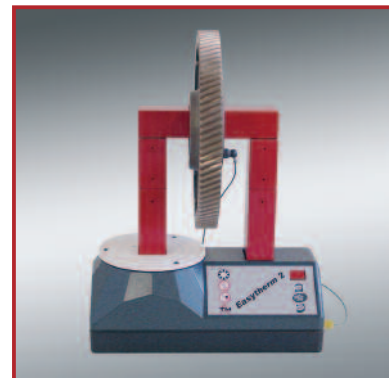
With extension yokes the user is able to heat up bigger parts on a standard Easy therm induction heater.

#### Dimensions:

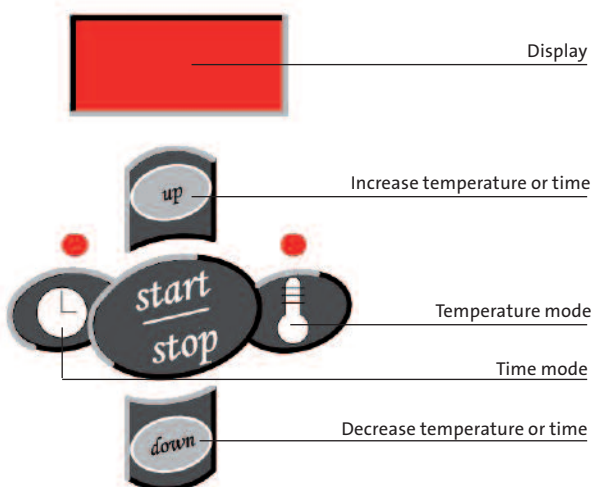
Type heater	Measurements set of extension yokes	Max. outside diameter part
Easy therm 2	50x50x75/1.96"x1.57"x2.95"	375mm/14.76"
Easy therm 3.5	50x50x120/1.96"x1.96"x4.72"	600mm/23.62"
Easy therm 15	70x70x150/2.75"x2.75"x5.9"	770mm/30.31"
Easy therm 15	70x70x200/2.75"x2.75"x11.81"	870mm/34.25"
Easy therm 30	80x80x150/3.14"x3.14"x5.9"	980mm/38.58"
Easy therm 30	80x80x200/3.14"x3.14"x11.81"	1080mm/42.51"



Max O.D. with a set extension yokes



## The intelligent electronic unit for the Easy therm 3.5, 15, 30, 60, 100 and 250



The intelligent electronic unit for the Easy them 3.5, 15, 30, 60, 100 and 250.

#### Electronic unit:

- Intelligent programmable electronic unit;
- Possible to set time and temperature to heat up big parts uniform;
- Safe: count down before the heater start, or IR remote control;
- Temperature control accuracy +/- 2°C;
- Timer accuracy 0,01 sec;
- Power can be set manual from 0-100%.

#### Uniform heating:

To provide controllable heating by the setting of a "ramp", specially developed for the heating of gears and bearings. The user can set the temperature and time; the heater will heat the part exactly to the set temperature in the set time. The major advantage this provides is the temperature differential between the internal and external component material remains low thus reducing the potential for material stress accumulation and subsequent potential distortional damage.

