

# EX - Knife gate valve uni-directional DN50-1200

## Description

Uni-directional knife gate valve for pulp and paper, water treatment, power plants, food and beverage, mining, bulk handling, ...

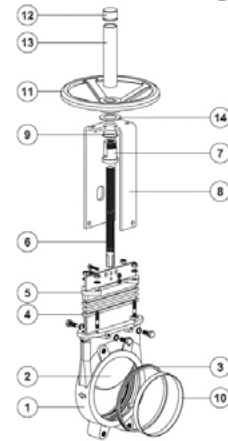
## Product features

- Body construction Wafer
  - Max. working pressure 10 bar (DN50-250), 6 bar (DN300-400), 5 bar (DN450), 4 bar (DN500-600), 2 bar (DN700-1200)
  - Rating PN10, ANSI cl.150, other ratings on request
  - Max. temperature with EPDM seat 120°C, with metal seat 250°C
- The knife gate valves EX meet the safety requirements of the pressure Equipments Directive 97/23/EC (PED) appendix 1 for fluids of the groups 1 and 2.



## Construction

No.	Part	Cast iron	Stainless steel
1	Body	GJL250 (GG25)	1.4408 / CF8M
2	Gate	1.4301 / AISI 304	1.4401 / AISI 316
3	Seat	metal/metal or EPDM	
4	Packing	PTFE impreg. synth. fibre	
5	Gland	DN50-300: Aluminium DN350-1000: GJS-400-15(GGG40)	1.4408 / CF8M
6	Stem	AISI 430	
7	Stem nut	Brass	
8	Yoke	Carbon steel Epoxy coated	
9	Collar	Nylon	
10	Ring	1.4301 / AISI 304	1.4401 / AISI 316
11	Handwheel	Ø≤310: GJS-400-15 (GGG40), Ø≥410: GJL250 (GG25)	
12	Cap	Plastic	
13	Stem protector	Carbon steel Epoxy coated	
14	Friction washer	Brass	



## Type code

EX 0100 . 2 2 - 1AE . 4M0 . M . ST . HR . xx  
 ① ② ③ ④ ⑤ ⑥ ⑦ ⑧ ⑨ ⑩

① Gate valve type	EX	Uni-directional knife gate valve
② Nominal diameter	0050-1200	
③ Working pressure	2	10 bar (DN50-250)
	1	6 bar (DN300-400)
	0	5 bar (DN450), 4 bar (DN500-600), 2 bar (DN700-1200)
④ Rating	2	PN10
	A	ANSI B16.5 cl. 150 other ratings on request
⑤ Body	1AE	Cast iron GJL250 (GG25), Epoxy coated
	4C0	Stainless steel 1.4408 / CF8M
⑥ Gate	4M0	Stainless steel 1.4301 / AISI 304 (Standard with body 1AE - GG25)
	4C0	Stainless steel 1.4408 / AISI 316 (Standard with body 4C0 - CF8M)
⑦ Seat	M	Metal, high temp, low tightness > 250°C
	E	EPDM 120°C
	N	Nitrile 120°C
	S	Silicone 250°C
	V	Viton® 200°C
	T	PTFE 250°C
⑧ Packing	ST	PTFE impreg. synth. fibre (Standard with body 4C0 - CF8M) 240°C pH 2-13
	TH	Braided PTFE 260°C pH 0-14
	GR	Graphit 600°C pH 0-14
	FC	Keramic fibre 1200°C -
⑨ Actuator	HR / HN	Handwheel: HR=rising stem, HN =non rising stem
	BR / BN	Gearbox: BR=rising stem, BN =non rising stem
	DA / SA	Pneumatic DA=double acting, SA=single acting
	EL	Electric
⑩ Accessories		other actuators (chain wheel , hydraulic, ...) on request Limit switches, mechanical stops, manual override, locking device, solenoid valves, positioner, ... on request

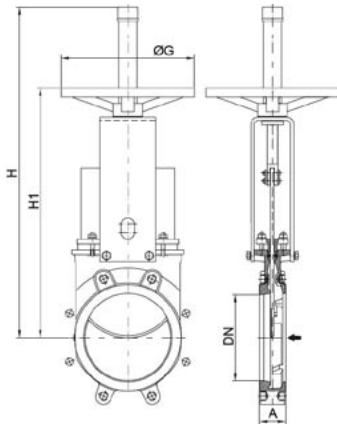


Fluids under control.

# EX - Knife gate valve uni-directional DN50-1200

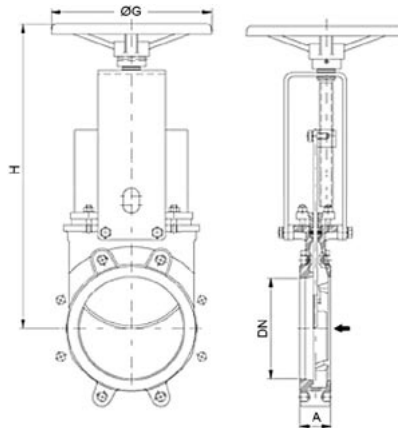
## Dimensions

### Handwheel - rising stem



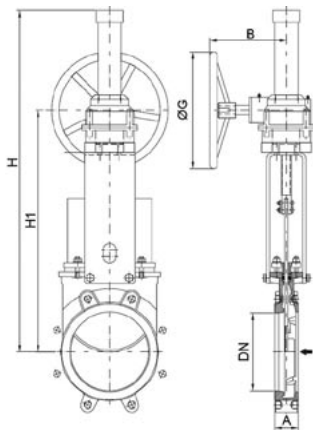
DN	A	H1	H	ØG	[kg]
50	40	281	420	225	7
65	40	308	450	225	8
80	50	333	475	225	9
100	50	374	520	225	11
125	50	408	600	225	15
150	60	459	652	225	18
200	60	581	822	310	30
250	70	681	1022	310	44
300	70	781	1122	310	58
350	96	890	1323	410	96
400	100	994	1427	410	124
450	106	1086	1594	550	168
500	110	1199	1707	550	192
600	110	1404	2022	550	245
700	110	1650	2575	800	405
750	110	1779	2704	800	455
800	110	1854	3479	800	512
900	110	2087	3798	800	680
1000	110	2269	3980	800	865

### Handwheel - non rising stem



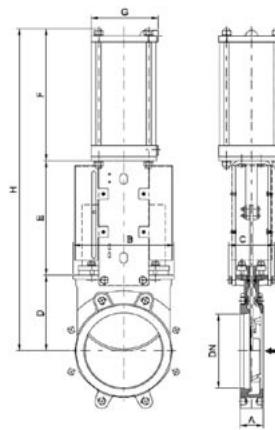
DN	A	H	ØG
50	40	315	225
65	40	342	225
80	50	367	225
100	50	408	225
125	50	442	225
150	60	493	225
200	60	602	310
250	70	702	310
300	70	802	310
350	96	935	410
400	100	1039	410
450	106	1132	550
500	110	1245	550
600	110	1449	550
700	110	1726	800
750	110	1855	800
800	110	1934	800
900	110	2168	800
1000	110	2350	800

### Gearbox - rising or non rising stem



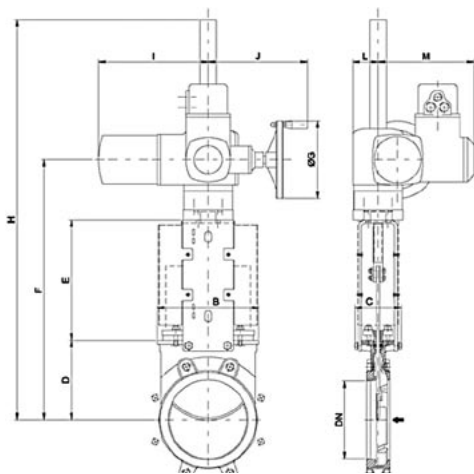
DN	A	B	H1	H	ØG
200	60	198	623	964	300
250	70	198	723	1064	300
300	70	198	823	1164	300
350	96	218	922	1563	450
400	100	218	1026	1668	450
450	106	218	1114	1754	450
500	110	218	1227	1868	450
600	110	218	1432	2074	450
700	110	268	1660	2803	450
750	110	268	1789	2932	650
800	110	307	1886	3029	650
900	110	307	2120	3263	650
1000	110	307	2302	3445	650
1200	150	365	2820	4165	850

### Pneumatic actuator - double acting



DN	A	H	Cylinder	[kg]
50	40	412	100/62 1/4"	9
65	40	454	100/77 1/4"	10
80	50	497	100/95 1/4"	11
100	50	558	100/115 1/4"	14
125	50	632	125/143 1/4"	20
150	60	708	125/168 1/4"	25
200	60	872	160/220 1/4"	44
250	70	1042	200/270 3/8"	67
300	70	1192	200/320 3/8"	82
350	96	1387	250/375 3/8"	135
400	100	1541	250/425 3/8"	165
450	106	1710	300/475 1/2"	220
500	110	1873	300/525 1/2"	280
600	110	2178	300/625 1/2"	330
700	110	2546	350/730 3/4"	520
750	110	2725	350/780 3/4"	585
800	110	2854	350/830 3/4"	650
900	110	3203	400/930 3/4"	850
1000	110	3485	400/1030 3/4"	1060

### Electric actuator



DN	A	H1	H	ØG	I	J	L	M	[Nm]
50	40	377	547	160	265	249	62	237	10
65	40	404	574	160	265	249	62	237	10
80	50	429	599	160	265	249	62	237	10
100	50	470	640	160	265	249	62	237	10
125	50	504	674	160	265	249	62	237	15
150	60	555	1125	160	265	249	62	237	20
200	60	669	1289	200	282	256	65	247	30
250	70	769	1349	200	282	256	65	247	45
300	70	869	1454	200	282	256	65	247	40
350	96	968	1553	200	282	256	85	247	70
400	100	1072	1657	200	282	256	85	247	90
450	106	1205	1805	315	385	325	90	285	110
500	110	1318	1918	315	385	325	90	285	95
600	110	1523	2223	315	385	325	90	285	140
700	110	1763	2846	315	385	325	90	285	120
750	110	1882	2965	400	385	332	90	285	140
800	110	1948	3031	400	385	332	90	285	180
900	110	2157	3240	400	385	332	90	285	220
1000	110	2350	3431	400	385	332	90	285	300
1200	150	3025	4330	500	510	355	115	310	480

**InterApp AG**  
Grundstrasse 24  
CH-6343 Rotkreuz  
Phone +41 (0) 41 7982233  
Fax +41 (0) 41 7982234  
info@ch.interapp.net

**InterApp Germany**  
AVK Mittelmann Armaturen  
Schillerstrasse 50  
D-42489 Wülfrath  
Phone +49 (0) 2058 901 01  
Fax +49 (0) 2058 901 110  
info@avkmittelmann.com

**InterApp Austria**  
Kolpingstrasse 19  
A-1230 Wien  
Phone +43 (0) 1 6162371-0  
Fax +43 (0) 1 6162371-99  
info@at.interapp.net

**InterApp Italy**  
Via Gramsci 29  
I-20016 Pero (MI)  
Phone +39 02 339371  
Fax +39 02 33937200  
info@it.interapp.net

**InterApp Válvulas**  
Calderón de la Barca 12  
E-28860 Paracuellos de Jarama  
Phone +34 (0) 91 6584360  
Fax +34 (0) 91 6581430  
info@es.interapp.net

**AVK Válvulas**  
Poligono Industrial  
Francoli, parcela 27  
E-46006 Tarragona  
Phone +34 977 543 008  
Fax +34 977 541 622  
avk@avkvalvulas.com

**InterApp Singapore**  
11, Changi North Street 1, #03-11  
Singapore 498823  
Phone +65 62141048  
Fax +65 62140481  
info@sg.interapp.net

The technical data are noncommittal and do not assure you of any properties. Please refer to our general sales conditions. Modifications without notice.

© 2009 InterApp AG, all rights reserved