

Description

Bi-directional knife gate valve for water treatment, power plants, food and beverage, ...

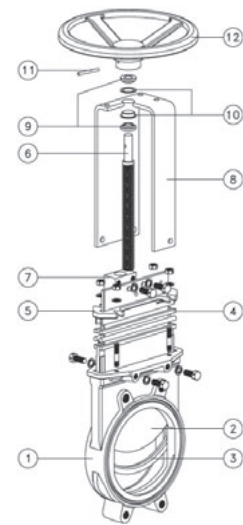
Product features

- Body construction Wafer
 - Max. working pressure 10 bar (DN50-250), 6 bar (DN300-400), 5 bar (DN450), 4 bar (DN500-600), 2 bar (DN700-1200)
 - Rating PN10, ANSI cl.150, other ratings on request
 - Max. temperature with EPDM seat 120°C, with Viton seat 200°C
- The knife gate valves meet the safety requirements of the pressure Equipments Directive 97/23/EC (PED) appendix 1 for fluids of the groups 1 and 2.



Construction

No.	Part	Cast iron
1	Body	GJL250 (GG25)
2	Gate	1.4301 / AISI 304
3	Seat	EPDM or Nitril (Viton on request)
4	Packing	PTFE impreg. synth. fibre
5	Gland	DN50-300: GJS-400-15(GGG40) DN350-1000: Aluminium
6	Stem	AISI 430
7	Stem nut	Brass
8	Yoke	Carbon steel Epoxy coated
9	Collar	Brass
10	Collar and washer	Nylon
11	Spring pin	Steel
12	Handwheel	Ø<310: GJS-400-15 (GGG40) Ø>410: GJL250 (GG25)



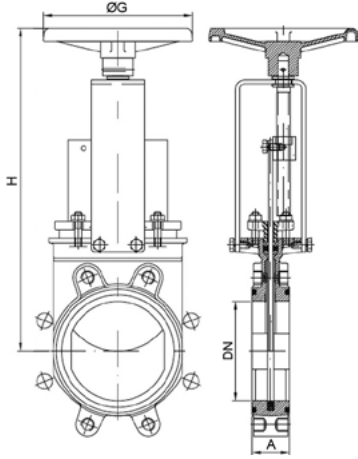
Type code

EB 0100 . 2 2 - 1AE . 4M0 . E . ST . HN . xx
 ① ② ③ ④ ⑤ ⑥ ⑦ ⑧ ⑨ ⑩

① Gate valve type	EB	Bi-directional knife gate valve	
② Nominal diameter	0050-1200		
③ Working pressure	2	10 bar (DN50-250)	
	1	6 bar (DN300-400)	
	0	5 bar (DN450), 4 bar (DN500-600), 2 bar (DN700-1200)	
④ Rating	2	PN10	
	A	ANSI B16.5 cl. 150	
		other ratings on request	
⑤ Body	1AE	Cast iron GJL250 (GG25), Epoxy coated	
		other materials on request	
⑥ Gate	4M0	Stainless steel 1.4301 / AISI 304	
⑦ Seat	E	EPDM	120°C
	N	Nitrile	120°C
	V	Viton®	200°C
⑧ Packing	ST	PTFE impreg. synth. fibre	240°C pH 2-13
	TH	Braided PTFE	260°C pH 0-14
	HN	Handwheel non rising stem	
⑨ Actuator	BN	Gearbox non rising stem	
	DA / SA	Pneumatic DA=double acting, SA=single acting	
	EL	Electric	
		other actuators (chain wheel , hydraulic, ...) on request	
⑩ Accessories		Limit switches, mechanical stops, manual override, locking device, solenoid valves, positioner, ... on request	

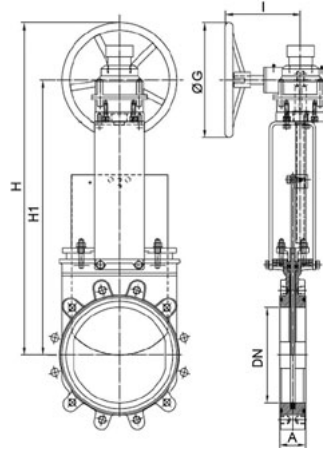
Dimensions

Handwheel - non rising stem



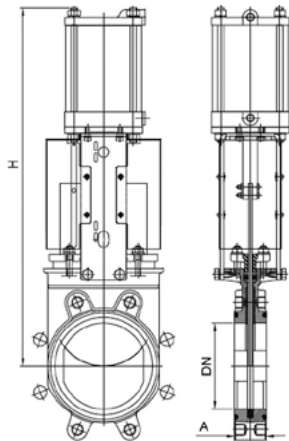
DN	A	H	ØG	[kg]
50	43	315	225	8
65	46	342	225	9
80	46	367	225	10
100	52	408	225	12
125	56	442	225	15
150	56	488	225	17
200	60	602	310	30
250	68	702	310	42
300	78	792	310	60
350	78	950	410	90
400	102	1035	410	140
450	114	1240	550	185
500	127	1245	550	204
600	110	1405	550	230
700	110	1736	800	380
800	110	1923	800	550
900	110	2047	800	680
1000	110	2487	800	800

Gearbox - non rising stem



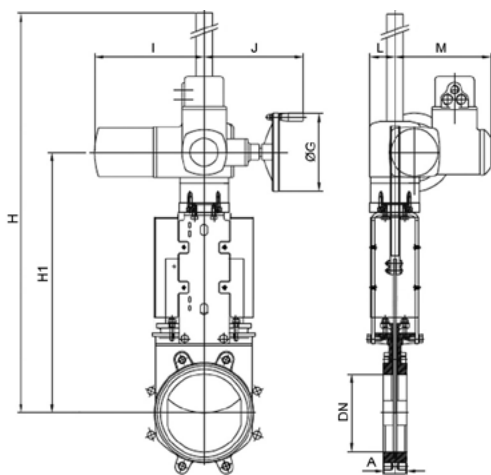
DN	A	H1	H	ØG	I
200	60	618	768	300	198
250	68	718	868	300	198
300	78	808	958	300	198
350	78	1040	1265	450	250
400	102	1125	1350	450	250
450	114	1330	1555	450	250
500	127	1335	1560	450	250
600	110	1495	1720	450	250
700	110	1765	1990	450	250
800	110	1950	2275	650	250
900	110	2075	2400	650	250
1000	110	2515	2840	650	250
1200	150	3005	3405	800	250

Pneumatic actuator - double acting



DN	A	H	Cylinder	[kg]
50	43	412	100/52 1/4"	9
65	46	454	100/67 1/4"	10
80	46	497	100/82 1/4"	11
100	52	558	100/102 1/4"	13.5
125	56	634	125/127 1/4"	19
150	56	703	125/152 1/4"	22
200	60	872	160/202 1/4"	47
250	68	1042	200/252 3/8"	58
300	78	1182	200/302 3/8"	84
350	78	1387	250/353 3/8"	130
400	102	1522	250/403 3/8"	181
450	114	1805	300/453 1/2"	235
500	127	1860	300/503 1/2"	302
600	110	2120	300/603 1/2"	315
700	110	2532	350/703 3/4"	480
800	110	2819	350/803 3/4"	585

Electric actuator



DN	A	H1	H	ØG	I	J	L	M	[Nm]
50	43	377	547	140	265	234	63	237	5
65	46	404	574	140	265	234	63	237	6
80	46	429	600	140	265	234	63	237	8
100	52	472	667	160	265	250	63	237	12
125	56	506	702	160	265	250	63	237	15
150	56	550	1120	160	265	250	63	237	18
200	60	669	1250	200	282	256	65	247	22
250	68	769	1350	200	282	256	65	247	25
300	78	859	1440	200	282	256	65	247	35
350	78	1087	1742	200	282	256	128	247	60
400	102	1170	1827	200	282	256	128	247	85
450	114	1403	2087	315	385	325	130	285	95
500	127	1408	2092	315	385	325	130	285	105
600	110	1568	2252	315	385	325	130	285	210
700	110	1838	2918	315	385	325	202	285	250
800	110	2025	3041	400	385	332	202	285	400
900	110	2129	3165	400	385	332	202	285	450
1000	110	2564	3605	400	385	332	202	285	500
1200	150	3079	4390	500	510	355	284	307	700

InterApp AG
 Grundstrasse 24
 CH-6343 Rotkreuz
 Phone +41 (0) 41 7982233
 Fax +41 (0) 41 7982234
 info@ch.interapp.net

InterApp Austria
 Kolpingstrasse 19
 A-1230 Wien
 Phone +43 (0) 1 6162371-0
 Fax +43 (0) 1 6162371-99
 info@at.interapp.net

InterApp Italy
 Via Gramsci 29
 I-20016 Pero (MI)
 Phone +39 02 339371
 Fax +39 02 33937200
 info@it.interapp.net

InterApp Singapore
 11, Changi North Street 1, #03-11
 Singapore 498823
 Phone +65 62141048
 Fax +65 62140481
 info@sg.interapp.net

AVK Mittelmänn Armaturen
InterApp Germany
 Schillerstrasse 50
 D-42489 Wülfrath
 Phone +49 (0) 2058 901 01
 Fax +49 (0) 2058 901 110
 info@avkmittelmänn.com

AVK Válvulas S.A.
InterApp Válvulas S.A.
 Poligono Industrial Francoali, parcela 12
 E-46006 Tarragona
 Phone +34 977 543 008
 Fax +34 977 541 622
 avk@avkvalvulas.com