

BVP - Ball valve for Pharma, Food and Biotech DN 10-100

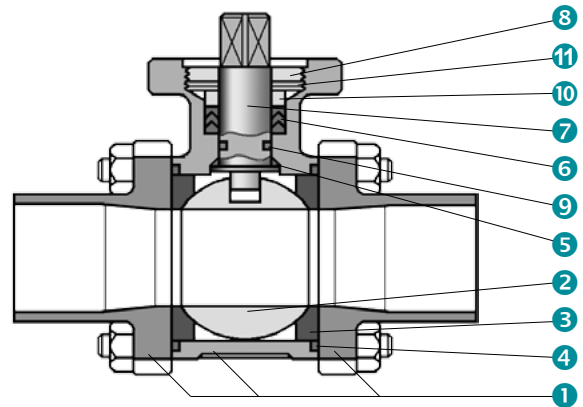
Product features

- Connection Buttweld ends DN10-100 (1/4" - 4")
BVP23FG: acc. to EN ISO 1127,
Length of buttweld ends suitable for orbital welding.
 - Materials and surface Stainless steel 1.4435 / inside 0,8 µm mechanical polished, outside electrical polished
 - Seals PTFE FDA-conform <150°C
PTFE-SS (metal reinforced) FDA-conform, for steam and temperatures >150°C
 - Max. working pressure According to buttweld ends standard (max. body pressure 63 bar),
for steam applications and sterilisation max. 8 bar
 - Temperature range -10°C ÷ 150°C, optional up to 170°C
(max. pressure for steam 8 bar)
- CE**
- The ball valves BVP meet the safety requirements of the Pressure Equipments Directive 97/23/EC (PED) appendix 1 for fluids of the groups 1 and 2.

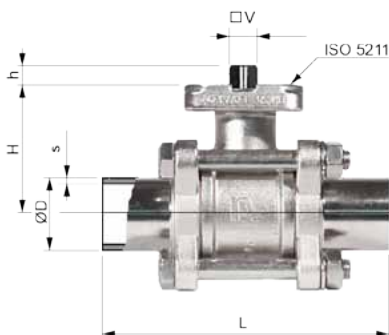


Construction

1	Body (3 parts)	1.4435 ΔFe < 1%
2	Ball	1.4435 ΔFe < 1%
3	Seat ring	PTFE FDA or PTFE-SS FDA (for steam)
4	Seal ring	PTFE FDA
5	Washer	PTFE FDA
6	Stem seal self-adjusting	PTFE FDA
7	Stem	1.4435 ΔFe < 1%
8	Gland nut	AISI 316 (1.4401)
9	Seal ring	Silicone - FDA
10	Gland ring	AISI 316 (1.4401)
11	Bevel washer	Spring steel



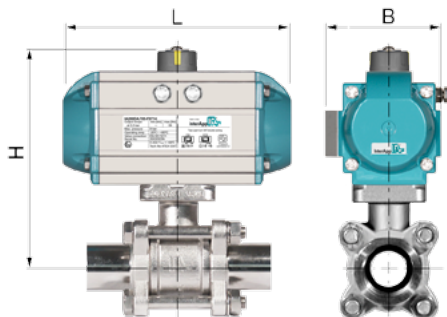
Dimensions



		DN	H	h	□ V	ISO	kv[m³/h]	[kg]	L	s	Ø D
BVP23FG.014.GGF	1/4	8	40	7	9	F03+04	8,6	0,35	95	1,6	13,5
BVP23FG.038.GGF	3/8	10	40	7	9	F03+04	21	0,40	95	1,6	17,2
BVP23FG.012.GGF	1/2	15	40	7	9	F03+04	35	0,65	100	1,6	21,3
BVP23FG.034.GGF	3/4	20	44	9	9	F03+04	46	0,80	105	1,6	26,9
BVP23FG.100.GGF	1	25	52	12	11	F04+05	72	1,20	115	2,0	33,7
BVP23FG.114.GGF	1 1/4	32	58	12	11	F04+05	105	1,95	140	2,0	42,4
BVP23FG.112.GGF	1 1/2	40	68	16	14	F05+07	170	2,75	150	2,0	48,3
BVP23FG.200.GGF	2	50	77	16	14	F05+07	275	4,50	170	2,0	60,3
BVP23FG.212.GGF	2 1/2	65	98	19	17	F07+10	507	8,90	220	2,0	76,1
BVP23FG.300.GGF	3	80	110	19	17	F07+10	905	12,9	300	2,3	88,9
BVP23FG.400.GGF	4	100	138	24	22	F10	1414	22,5	325	2,3	114,3

Other connection standards on request.

Dimensions



Actuator selection for
 - standard PTFE seat ring,
 - working pressure 16 bar,
 - air supply pressure 6 bar.

For other seat ring versions or other working conditions please contact our technical department.

BVP + IA...D (pneum. double acting actuator)

	Size	DN	L	B	H	[kg]
BVP23FG.014.GGF + IA050D.F0411 (R09)	¼	8	137	78,5	129	1,50
BVP23FG.038.GGF + IA050D.F0411 (R09)	⅜	10	137	78,5	129	1,55
BVP23FG.012.GGF + IA050D.F0411 (R09)	½	15	137	78,5	129	1,80
BVP23FG.034.GGF + IA050D.F0411 (R09)	¾	20	137	78,5	133	1,95
BVP23FG.100.GGF + IA050D.F03-F0511	1	25	137	78,5	141	2,35
BVP23FG.114.GGF + IA100D.F05-F0711	1¼	32	154	91,5	163	3,65
BVP23FG.112.GGF + IA100D.F05-F0714	1½	40	154	91,5	173	4,45
BVP23FG.200.GGF + IA200D.F05-F0714	2	50	204	105,0	192	7,40
BVP23FG.212.GGF + IA200D.F05-F0714	2½	65	204	105,0	220	11,8
BVP23FG.300.GGF + IA250D.F05-F0717	3	80	241	118,5	245	17,0
BVP23FG.400.GGF + IA300D.F07-F1022	4	100	259	130,5	285	28,1

BVP + IA...S (pneum. single acting actuator)

	Size	DN	L	B	H	[kg]
BVP23FG.014.GGF + IA050S12.F0411 (R09)	¼	8	137	78,5	129	1,62
BVP23FG.038.GGF + IA050S12.F0411 (R09)	⅜	10	137	78,5	129	1,67
BVP23FG.012.GGF + IA050S12.F0411 (R09)	½	15	137	78,5	129	1,92
BVP23FG.034.GGF + IA100S12.F0411 (R09)	¾	20	154	91,5	149	2,70
BVP23FG.100.GGF + IA100S12.F05-F0711	1	25	154	91,5	157	3,10
BVP23FG.114.GGF + IA200S12.F05-F0711	1¼	32	204	105,0	180	5,25
BVP23FG.112.GGF + IA200S12.F05-F0714	1½	40	204	105,0	190	6,05
BVP23FG.200.GGF + IA250S12.F05-F0714	2	50	241	118,5	212	9,20
BVP23FG.212.GGF + IA250S12.F05-F0717	2½	65	241	118,5	233	13,6
BVP23FG.300.GGF + IA300S12.F07-F1017	3	80	259	130,5	257	19,4
BVP23FG.400.GGF + IA350S12.F07-F1022	4	100	304	148,5	313	32,5

For temperatures >100°C a mounting bracket with adapter is mounted between ball valve and actuator. Please add the following values to dimension H:

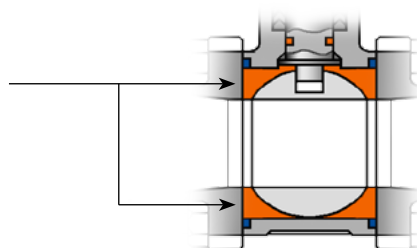
DN10 - 20 +50mm
 DN25 - 50 +60mm
 DN65 - 100 +80mm

BVP + HL (hand lever 1.4401)

	Size	DN	W	H
BVP23FG.014.GGF + HL.BVP23/014-034	¼	8	124	63
BVP23FG.038.GGF + HL.BVP23/014-034	⅜	10	124	63
BVP23FG.012.GGF + HL.BVP23/014-034	½	15	124	63
BVP23FG.034.GGF + HL.BVP23/014-034	¾	20	124	67
BVP23FG.100.GGF + HL.BVP23/100-114	1	25	187	90
BVP23FG.114.GGF + HL.BVP23/100-114	1¼	32	187	96
BVP23FG.112.GGF + HL.BVP23/112-200	1½	40	220	106
BVP23FG.200.GGF + HL.BVP23/112-200	2	50	220	115
BVP23FG.212.GGF + HL.BVP23/212-300	2½	65	350	153
BVP23FG.300.GGF + HL.BVP23/212-300	3	80	350	165

Option:

- very low dead volume
- Not for steam applications**



InterApp AG
 Grundstrasse 24
 CH-6343 Rotkreuz
 Phone +41 (0) 41 7982233
 Fax +41 (0) 41 7982234
 info@ch.interapp.net

InterApp Austria
 Kolpingstrasse 19
 A-1230 Wien
 Phone +43 (0) 1 6162371-0
 Fax +43 (0) 1 6162371-99
 info@at.interapp.net

InterApp Italy
 Via Gramsci 29
 I-20016 Pero (MI)
 Phone +39 02 339371
 Fax +39 02 33937200
 info@it.interapp.net

InterApp Singapore
 11, Changi North Street 1, #03-11
 Singapore 498823
 Phone +65 62141048
 Fax +65 62140481
 info@sg.interapp.net

AVK Mittelmänn Armaturen
 InterApp Germany
 Schillerstrasse 50
 D-42489 Wülfrath
 Phone +49 (0) 2058 901 01
 Fax +49 (0) 2058 901 110
 info@avkmittelmann.com

AVK Válvulas S.A.
 InterApp Válvulas S.A.
 Polígono Industrial Francoli, parcela 12
 E-46006 Tarragona
 Phone +34 977 543 008
 Fax +34 977 541 622
 avk@avkvalvulas.com