

# BVE - Ball valve (stainless steel) 1/4"-4"

## Description

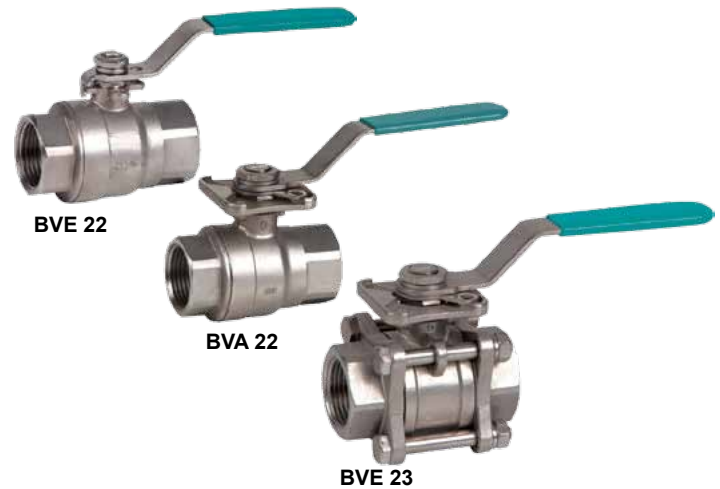
**BVE22** Stainless steel ball valve PN63 with two-piece body, full bore with hand lever

**BVA22** Stainless steel ball valve PN63 with two-piece body, full bore, top flange for mounting of actuator

**BVE23** Stainless steel ball valve PN63 with 3-piece body, full bore, top flange for mounting of actuator

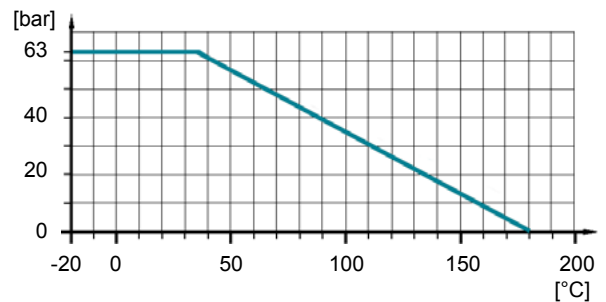
## Product features

- Connection BVE22 Thread  
BVA22 Thread  
BVE23 Thread / welding ends
- Max. working pressure 63 bar
- Temperature range BVE22: -20°C ÷ 180°C, BVE23: -20°C ÷ 200°C



## Pressure / temperature diagram

BVE23/BVA22: For temperatures >100°C a mounting bracket with adapter is mounted between ball valve and actuator.



## Type code

**BVE 22 FT . 014 . SST**  
 ① ② ③ ④ ⑤

① Type	<b>BVE</b>	ball valve with handlever	
② Construction	<b>22</b>	2/2 ways, two-piece body	
③ Bore, connection	<b>F</b>	full bore	
	<b>T</b>	threaded connection DIN EN 10226-1 (DIN 2999)	
④ Size	<b>014-300</b>	1/4" - 3"	
⑤ Materials	<b>S</b>	Body stainless steel	AISI 316 (CF8M)
	<b>S</b>	Ball stainless steel	AISI 316 (CF8M)
	<b>T</b>	Seat ring	PTFE +15% glass fibre

**BVA 22 FT . 014 . SST**  
 ① ② ③ ④ ⑤

① Type	<b>BVA</b>	Ball valve with top flange	
② Construction	<b>22</b>	2/2 ways, two-piece body	
③ Bore, connection	<b>F</b>	Full bore	
	<b>T</b>	Threaded ends DIN EN 10226-1 (DIN 2999)	
④ Size	<b>014-200</b>	1/4" - 2"	
⑤ Materials	<b>S</b>	Body stainless steel	AISI 316 (CF8M)
	<b>S</b>	Ball stainless steel	AISI 316 (CF8M)
	<b>T</b>	Seat ring	PTFE +15% glass fibre

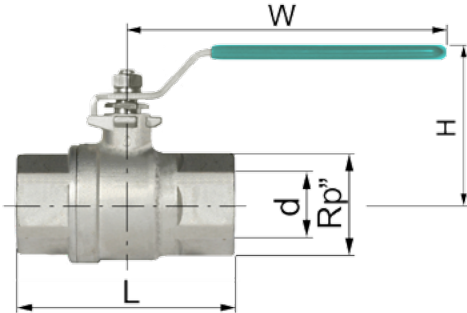
**BVE 23 F T . 014 . SST**  
 ① ② ③ ④ ⑤ ⑥

① Type	<b>BVE</b>	Ball valve with top flange	
② Construction	<b>23</b>	2/2 ways, two-piece body	
③ Bore	<b>F</b>	Full bore	
④ Connection	<b>T</b>	Threaded ends DIN EN 10226-1 (DIN 2999)	
	<b>B</b>	Butt weld ends ANSI B16.25	
	<b>S</b>	Socket weld ends ANSI B16.11	
⑤ Size	<b>014-400</b>	1/4" - 4"	
⑥ Materials	<b>S</b>	Body stainless steel	AISI 316 (CF8M)
	<b>S</b>	Ball stainless steel	AISI 316 (CF8M)
	<b>T</b>	Seat ring	PTFE +15% glass fibre



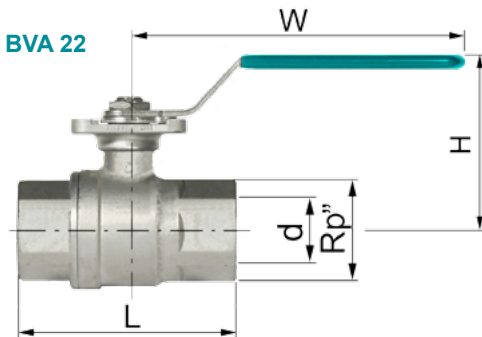
## Dimensions

### BVE 22



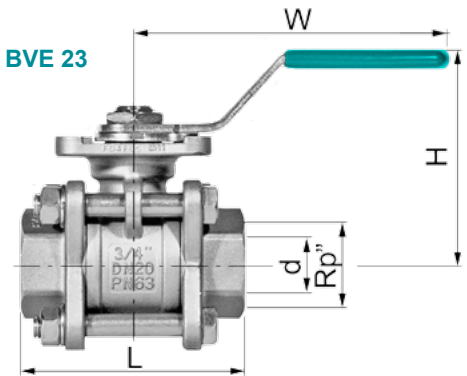
Rp"	d	L	H	W	kv[m <sup>3</sup> /h]	[kg]
1/4	11,0	50	50	104	6	0,21
3/8	12,7	50	50	104	10	0,20
1/2	15,0	55	51,5	104	24	0,24
3/4	20,6	70	62	122	43	0,44
1	25,4	83	65	122	83	0,61
1 1/4	31,8	91	82	180	130	1,08
1 1/2	38,1	103	88	205	205	1,54
2	50,8	120	106	219	340	2,65
2 1/2	65,0	152	119	240	520	4,71
3	80,0	172	135	275	1100	7,29

### BVA 22

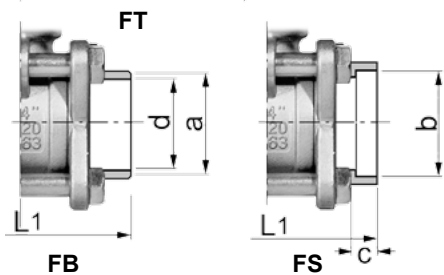


Rp"	d	L	H	W	ISO 5211	kv[m <sup>3</sup> /h]	[kg]
1/4	11,0	50	62	112	F03	6	0.30
3/8	12,7	50	62	112	F03	10	0.30
1/2	15,0	55	63	112	F04	24	0.35
3/4	20,6	70.5	70	138	F04/F05	43	0.56
1	25,4	83	70	138	F04/F05	83	0.78
1 1/4	31,8	91	88	160	F05/F07	130	1.35
1 1/2	38,1	103	94	205	F05/F07	205	1.90
2	50,8	120	100	205	F05/F07	340	2.83

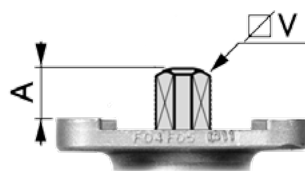
### BVE 23



Rp"	d	L	L1	H	W	a	b	c	FT [kg]	FB [kg]	FS [kg]	kv[m <sup>3</sup> /h]
1/4	11	47,6	47,6	60	112	13	14,1	10	0,39	0,37	0,38	6
3/8	12,7	47,6	47,6	60	112	14,7	17,6	10	0,38	0,37	0,38	10
1/2	15	56	55	60	112	17	21,7	10	0,44	0,44	0,44	24
3/4	20	73	73	70	138	22	27,1	14	0,82	0,81	0,82	43
1	25	82	81	70	138	28	33,8	14	1,02	0,99	1,02	83
1 1/4	32	91	91	88	160	35	42,6	15	1,79	1,77	1,78	130
1 1/2	40	104	103	94	205	43	48,7	15	2,46	2,35	2,47	205
2	50	120	120	100	205	54	61,1	19	3,47	3,28	3,40	340
2 1/2	65	155	155	150	330	69	73,8	21	8,50	8,55	8,80	520
3	80	182	182	165	330	87	89,8	24	12,40	11,85	12,35	1100
4	100	220	229	175	340	105	115,5	35	19,65	20,30	19,60	1820



### BVA22 / BVE23



Rp"	A	V	ISO 5211
1/4	10	9	F03
3/8	10	9	F03
1/2	11	9	F03/F04
3/4	11	11	F04/F05
1	11	11	F04/F05
1 1/4	15	14	F05/F07
1 1/2	15	14	F05/F07
2	15	14	F05/F07
2 1/2	19	17	F07/F10
3	19	17	F07/F10
4	19	17	F07/F10

InterApp AG  
Grundstrasse 24  
CH-6343 Rotkreuz  
Phone +41 (0) 41 7982233  
Fax +41 (0) 41 7982234  
info@ch.interapp.net

InterApp Austria  
Kolpingstrasse 19  
A-1230 Wien  
Phone +43 (0) 1 6162371-0  
Fax +43 (0) 1 6162371-99  
info@at.interapp.net

InterApp Italy  
Via Gramsci 29  
I-20016 Pero (MI)  
Phone +39 02 339371  
Fax +39 02 33937200  
info@it.interapp.net

InterApp Singapore  
11, Changi North Street 1, #03-11  
Singapore 498823  
Phone +65 62141048  
Fax +65 62140481  
info@sg.interapp.net

AVK Mittelmarm Armaturen  
InterApp Germany  
Schillerstrasse 50  
D-42489 Wülfrath  
Phone +49 (0) 2058 901 01  
Fax +49 (0) 2058 901 110  
info@avkmittelmarm.com

AVK Válvulas S.A.  
InterApp Válvulas S.A.  
Poligono Industrial Francoali, parcela 27  
E-46006 Tarragona  
Phone +34 977 543 008  
Fax +34 977 541 622  
avk@avkvalvulas.com