

BVC21 - Compact ball valve DN15-150

Description

Compact ball valve with full bore. Top flange for actuators according ISO 5211.

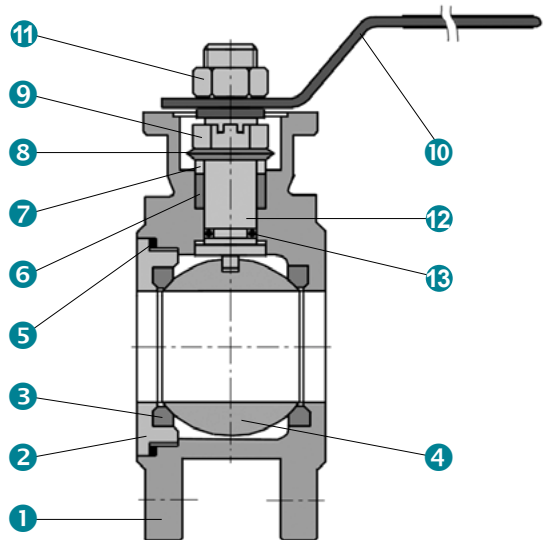
Product features

- Connection DN15-50 Flanges PN16/25/40
DN65-150 Flanges PN16
 - Max. working pressure 40bar
 - Temperature range -10°C + 160°C, Versions for lower temperatures on request
- The ball valves BVC21 meet the safety requirements of the pressure Equipments Directive 97/23/EC (PED) appendix 1 for fluids of the groups 1 and 2.

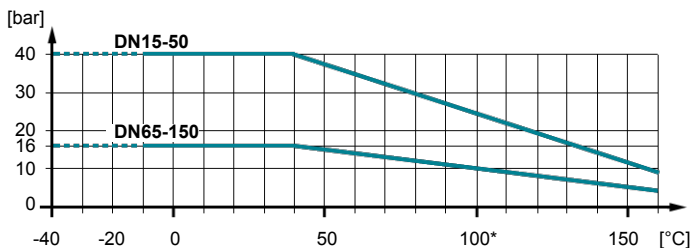


Construction

1	Body	Stainless steel CF8M (1.4408) or Cast steel GS-C25 (ASTM A216 WCB)
2	End cap	Stainless steel CF8M (1.4408)
3	Seat ring	PTFE + 15% GF
4	Ball	Stainless steel AISI 316 (1.4401)
5	Gasket	PTFE
6	Gland packing (self adjusting)	PTFE
7	Gland	Stainless steel AISI 304 (1.4301)
8	Disc washer	Spring steel
9	Gland nut + tab washer	Stainless steel AISI 304 (1.4301)
10	Handlever	Stainless steel AISI 304 (1.4301)
11	Handle nut	Stainless steel AISI 304 (1.4301)
12	Blow out proof stem	Stainless steel AISI 316 (1.4401)
13	O-ring	Viton



Pressure / temperature diagram



For temperatures >100°C a mounting bracket with adapter is mounted between ball valve and actuator.



Fluids under control.

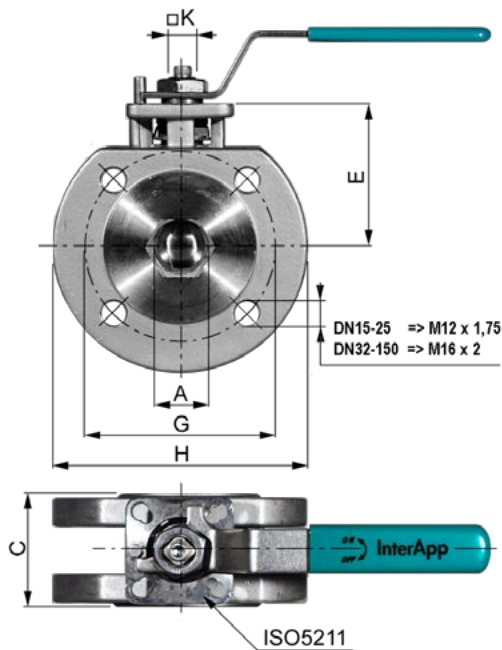
BVC21 - Compact ball valve DN15-150

Type code

BVC	21	F	F	. 025	. S	S	T
1	2	3	4	5	6	7	8

1 Type	BVC	Ball valve with top flange	
2 Construction	21	2/2 ways, one-piece body	
3 Bore	F	Full bore	
4 Connection	F	Flanged ends	
5 Size	015-150	DN15-150	
6 Materials body	S	stainless steel	CF8M (1.4408)
	C	cast steel	GS-C25 (ASTM A216 WCB)
7 Material ball	S	stainless steel	AISI 316 (1.4401)
8 Materials seat ring	T	Seat ring	PTFE + 15% GF

Dimensions



	DN	A	C	G	H	E	K	ISO5211	kv[m³/h]	[kg]
BVC21FF.015.SST	15	15	40	65	95	60,0	9	F03+04	35	1,6
BVC21FF.020.SST	20	20	44	75	105	64,3	9	F03+04	46	2,1
BVC21FF.025.SST	25	25	53	85	115	64,6	11	F04+05	72	2,6
BVC21FF.032.SST	32	32	58,4	100	135	69,0	11	F04+05	105	3,6
BVC21FF.040.SST	40	38	62	110	145	76,3	14	F05+07	170	4,3
BVC21FF.050.SST	50	50	78	125	155	85,7	14	F05+07	275	6,0
BVC21FF.065.SST	65	65	100	145	185	105	17	F07	507	10,0
BVC21FF.080.SST	80	76	120	160	200	123	17	F07	905	14,1
BVC21FF.100.SST	100	96	152	180	220	132	17	F07+10	1414	20,6
BVC21FF.125.SST	125	114	180	210	250	157,5	27	F10+12	2362	25
BVC21FF.150.SST	150	135	215	240	285	172,5	27	F10+12	3674	35

InterApp AG
Grundstrasse 24
CH-6343 Rotkreuz
Phone +41 (0) 41 7982233
Fax +41 (0) 41 7982234
info@ch.interapp.net

InterApp Germany
AVK Mittelmann Armaturen
Schillerstrasse 50
D-42489 Wülfrath
Phone +49 (0) 2058 901 01
Fax +49 (0) 2058 901 110
info@avkmittelmann.com

InterApp Austria
Kolpingstrasse 19
A-1230 Wien
Phone +43 (0) 1 6162371-0
Fax +43 (0) 1 6162371-99
info@at.interapp.net

InterApp Italy
Via Gramsci 29
I-20016 Pero (MI)
Phone +39 02 339371
Fax +39 02 33937200
info@it.interapp.net

InterApp Válvulas
Calderón de la Barca 12
E-28860 Paracuellos de Jarama
Phone +34 (0) 91 6584360
Fax +34 (0) 91 6581430
info@es.interapp.net

AVK Válvulas
Poligono Industrial
Francoli, parcela 27
E-46006 Tarragona
Phone +34 977 543 008
Fax +34 977 541 622
avk@avkvalvulas.com

InterApp Singapore
11, Changi North Street 1, #03-11
Singapore 498823
Phone +65 62141048
Fax +65 62140481
info@sg.interapp.net

The technical data are noncommittal and do not assure you of any properties. Please refer to our general sales conditions. Modifications without notice.

© 2009 InterApp AG, all rights reserved